



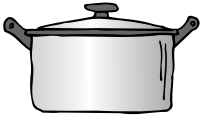

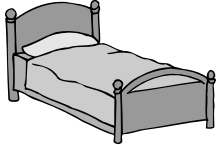
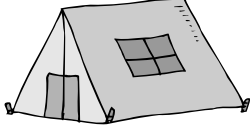

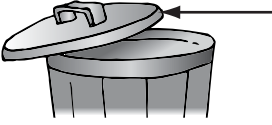



# 4

## Ending Consonants

### WORKOUT A


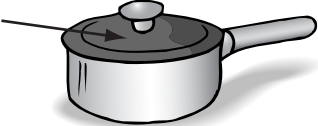


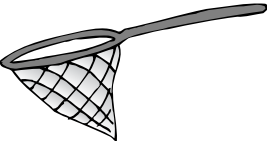

Look at each picture. Say the word. Circle ○ the sound you hear at the end of the word.

1.  t c	2.  m t	3.  p t
4.  t b	5.  d b	6.  n t
7.  n t	8.  d l	9.  t r

### WORKOUT B








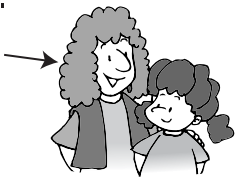
Find the word that matches each picture. Write the word under the picture.

net bud vest mug bed lid

1.  _____	2.  _____	3.  _____
4.  _____	5.  _____	6.  _____

# WORKOUT C

Look at each picture. Say the word. Write "r" or "m" at the end.

1.  ja _____	2.  ja _____	3.  gu _____	4.  ca _____
5.  ba _____	6.  sti _____	7.  ha _____	8.  mo _____

# WORKOUT D

Find the words in the word search.

dam      bar  
ham      car  
star      jam  
ram      far  
slam      gum  
tar      trim  
mom      jar  
sum      zoom

d	a	m	b	h	c	d	g	a	w
b	y	r	t	a	r	v	e	s	p
h	q	x	r	m	a	f	v	t	a
o	g	h	i	f	m	e	b	a	r
c	b	i	m	o	m	d	o	r	t
n	j	w	g	f	e	u	u	y	q
i	k	j	a	m	u	g	u	m	b
m	b	a	b	t	d	k	l	p	a
t	e	r	l	j	m	n	t	r	j
s	c	o	s	k	s	l	a	m	x
d	f	a	z	j	u	o	m	o	o
c	a	r	k	t	m	i	h	w	v
f	r	h	t	p	x	u	n	s	p
z	k	m	z	o	o	m	q	e	h